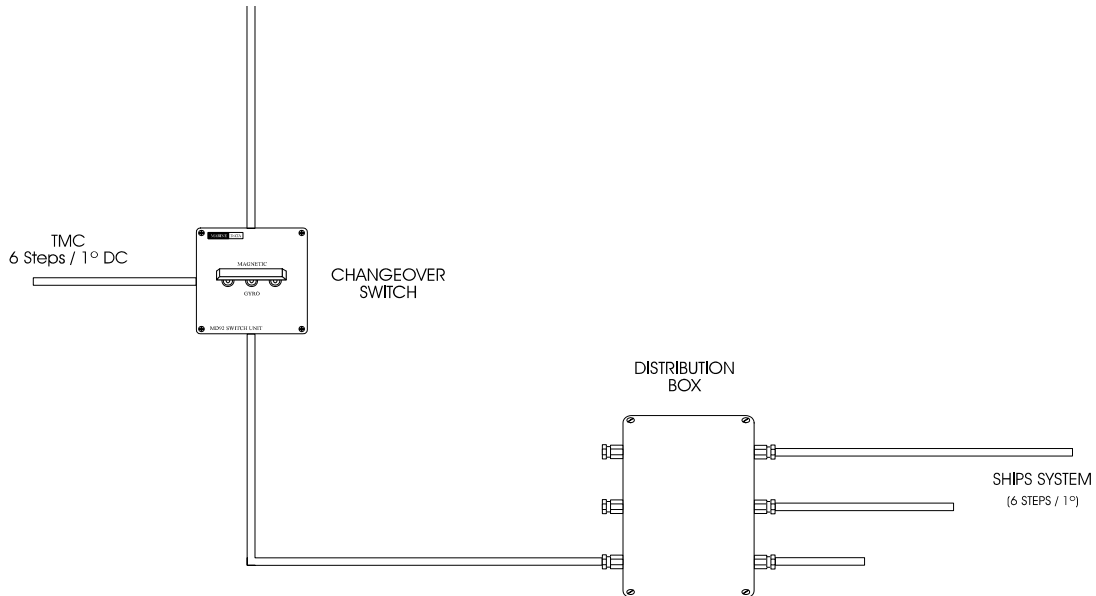


Vittlefields Tech. Ctr. Forest Road,  
Newport, Isle of Wight, PO30 4LY, UK.  
Telephone: +44 (0) 1983 822180  
Facsimile: +44 (0) 1983 822181  
E-mail: sales@marine-data.co.uk  
Web: www.marine-data.co.uk



**Typical System Example**

## Introduction

The MD92 Gyro/TMC changeover switch is designed to fit into a Transmitting Magnetic Compass (TMC) system.

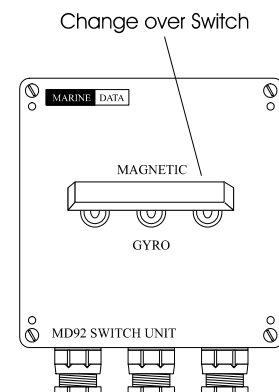
The TMC system can be used as a backup to the gyrocompass. In the event of a gyro failure the MD92 can be used to allow the navigating systems to obtain the heading signal from the magnetic compass.

The MD92 accepts a five line input as standard. Dual units are also available where two types of gyro transmission are used.

The unit can also be configured to switch between two gyro compass systems.

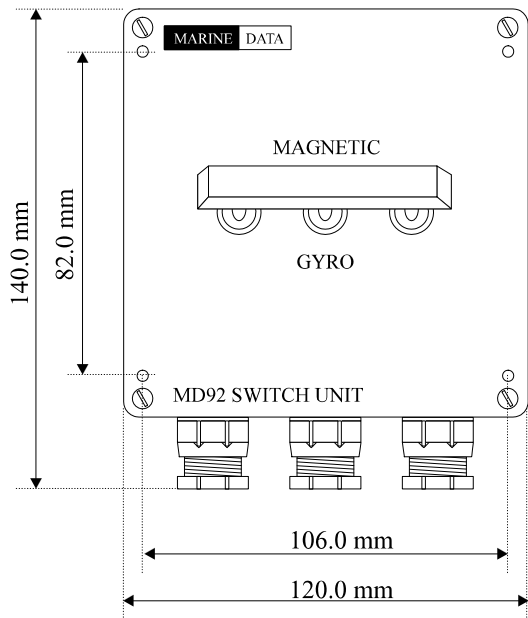
## Operators Controls

There is one operators control located on the front panel of the MD92 it is used to switch between T.M.C. input and Gyro Input.



**Figure 1 operators control position**

**SPECIFICATION FOR MD92**



**Physical**

- Weight 2.2 Kg
- Mounting Panel or Bulkhead
- Finish Black/Grey
- Connections 2 X Internal Barrier Strip
- Construction Aluminium Enclosure

**Electrical**

- Power Supply 24v DC (300 mA)
- Data Input Gyro/T.M.C.
- Data Outputs Gyro/T.M.C.

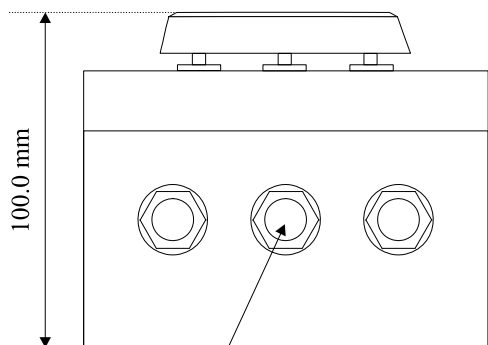
**Environmental**

- Rating IP54
- Temperature -10<sup>0</sup> C to + 70<sup>0</sup> C

**Data connection Table**

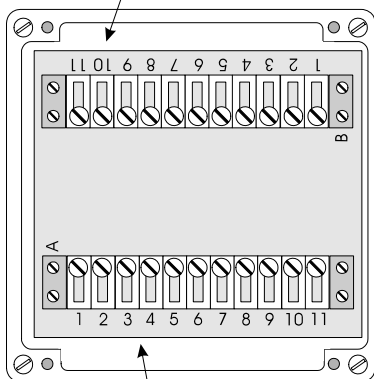
Terminal No.	S type	Synchro
A1	L1	S1
A2	L2	S2
A3	L3	S3
A4	+ve	R1
A5	-ve	R2
A6	No connection	No Connection
A7	L1	S1
A8	L2	S2
A9	L3	S3
A10	+ve	R1
A11	-ve	R2
B1	L1	S1
B2	L2	S2
B3	L3	S3
B4	+ve	R1
B5	-ve	R2
B6	No connection	No connection
B7	No connection	No connection
B8	No connection	No connection
B9	No connection	No connection
B10	No connection	No connection
B11	No connection	No connection

Note: terminate cable screen beneath terminal Block A fixing screw.



Glands (suit cable 8 -13 mm)

Terminal Block B



Terminal Block A

Figure 2 Internal Arrangement

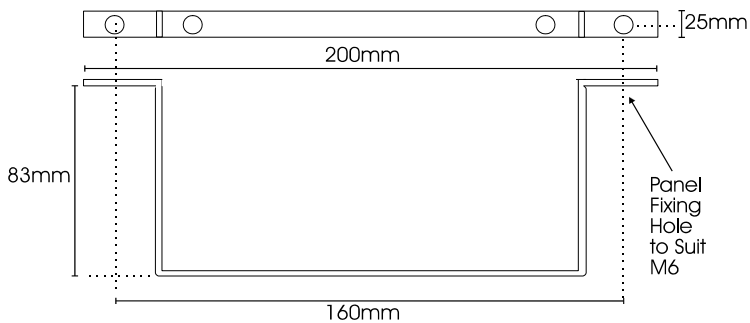


Figure 3 mounting strap