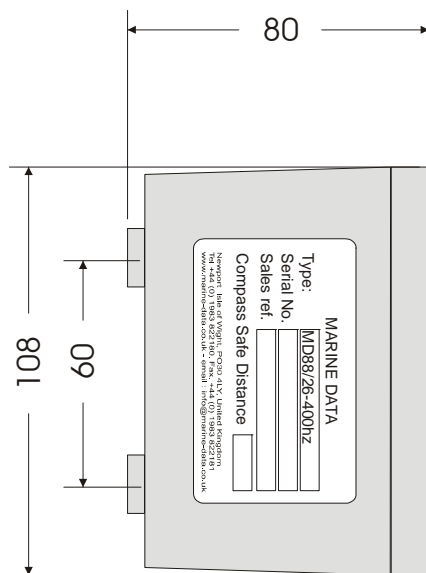
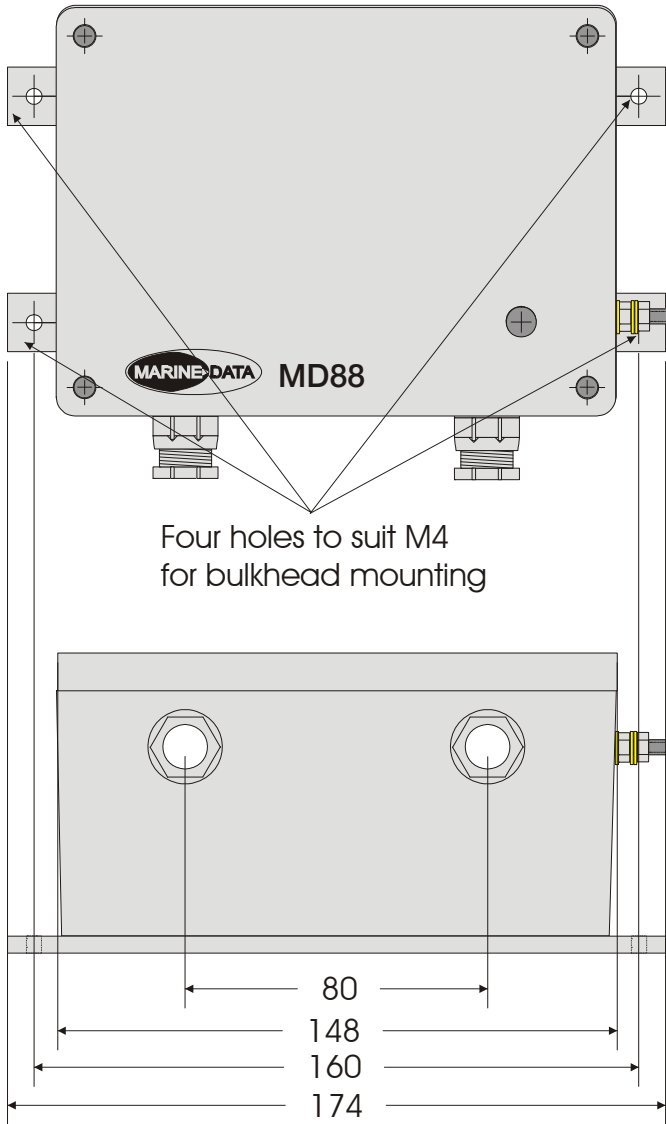


# GENERAL SPECIFICATION FOR MD88



## Physical

- Weight. 0.5 Kg.
- Mounting. Bulkhead.
- Finish. Black/Grey.
- Connections. 1 x Internal Barrier strip.
- Construction. Aluminium Enclosure.

## Electrical

- Power Supply 24v DC (500 mA).
- Power Output
  - MD88/115 115v 400Hz 12VA  $\pm 5\%$ . (1x 11cx load)
  - MD88/26 26v 400Hz 12VA  $\pm 1\%$  (1x 11cx load).

## Environmental

- Rating Splashproof to IP33.
- Temperature  $-10^{\circ}\text{C}$  to  $+70^{\circ}\text{C}$ .

## Additional

- Fuse protected against overload (on P.C.B).
- Reverse polarity protected (DC Supply).
- Sine Wave Output.

